

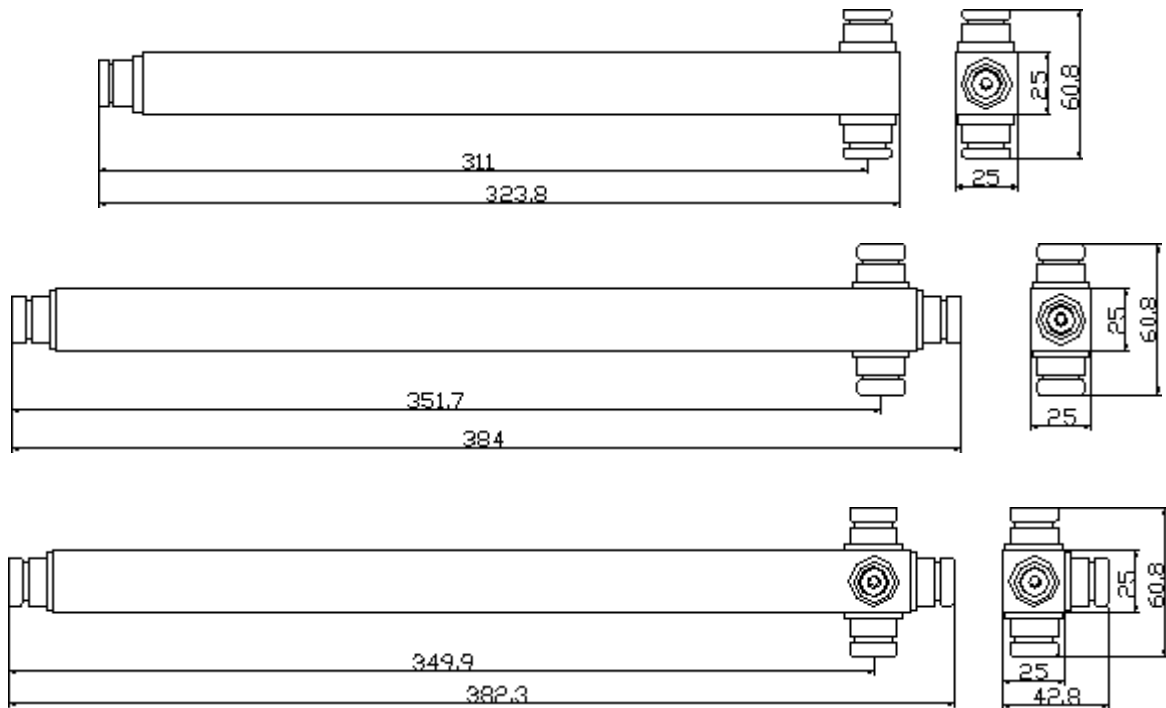
340-3800MHz 300W POWER SPLITTER

Specifications of N Type High Power Air-line Dielectric Power Splitter (340-3800MHz):

| Item | Specification | | |
|-------------------|--------------------------------------|-----------------|-----------------|
| Model | PS-338-300-2CNI | PS-338-300-3CNI | PS-338-300-4CNI |
| Frequency Range | 340-3800 MHz | | |
| Split | 2 | 3 | 4 |
| VSWR | 1.25 | 1.30 | 1.35 |
| Split Loss | 3 dB | 4.8 dB | 6 dB |
| Insertion loss | ≤0.30 dB | ≤0.40 dB | ≤0.50 dB |
| Intermodulation | ≤-161dBc@2x43dBm* | | |
| Power Rating | 300 W | | |
| Impedance | 50 Ω | | |
| Connector | N/Female | | |
| Temperature Range | -35 - 75 °C | | |
| Applications | Indoor/Outdoor, IP65 ,RoHS Compliant | | |

* The PIM value is reflect @ 900MHz and 1800MHz

Product Drawing:



340-3800MHz 300W POWER SPLITTER

Specifications of 4.3/10 Type High Power Air-line Dielectric Power Splitter (380-3800MHz):

| Item | Specification | | |
|-------------------|--------------------------------------|--------------------|--------------------|
| Model | PS-338-300-2C43MDI | PS-338-300-3C43MDI | PS-338-300-4C43MDI |
| Frequency Range | 340-3800 MHz | | |
| Split | 2 | 3 | 4 |
| VSWR | 1.25 | 1.30 | 1.35 |
| Split Loss | 3 dB | 4.8 dB | 6 dB |
| Insertion loss | ≤0.30 dB | ≤0.40 dB | ≤0.50 dB |
| Intermodulation | ≤-161dBc@2x43dBm* | | |
| Power Rating | 300 W | | |
| Impedance | 50 Ω | | |
| Connector | 4.3-10/Female | | |
| Temperature Range | -35 - 75 °C | | |
| Applications | Indoor/Outdoor, IP65 ,RoHS Compliant | | |

* The PIM value is reflect @ 900MHz and 1800MHz

Product Drawing:

